

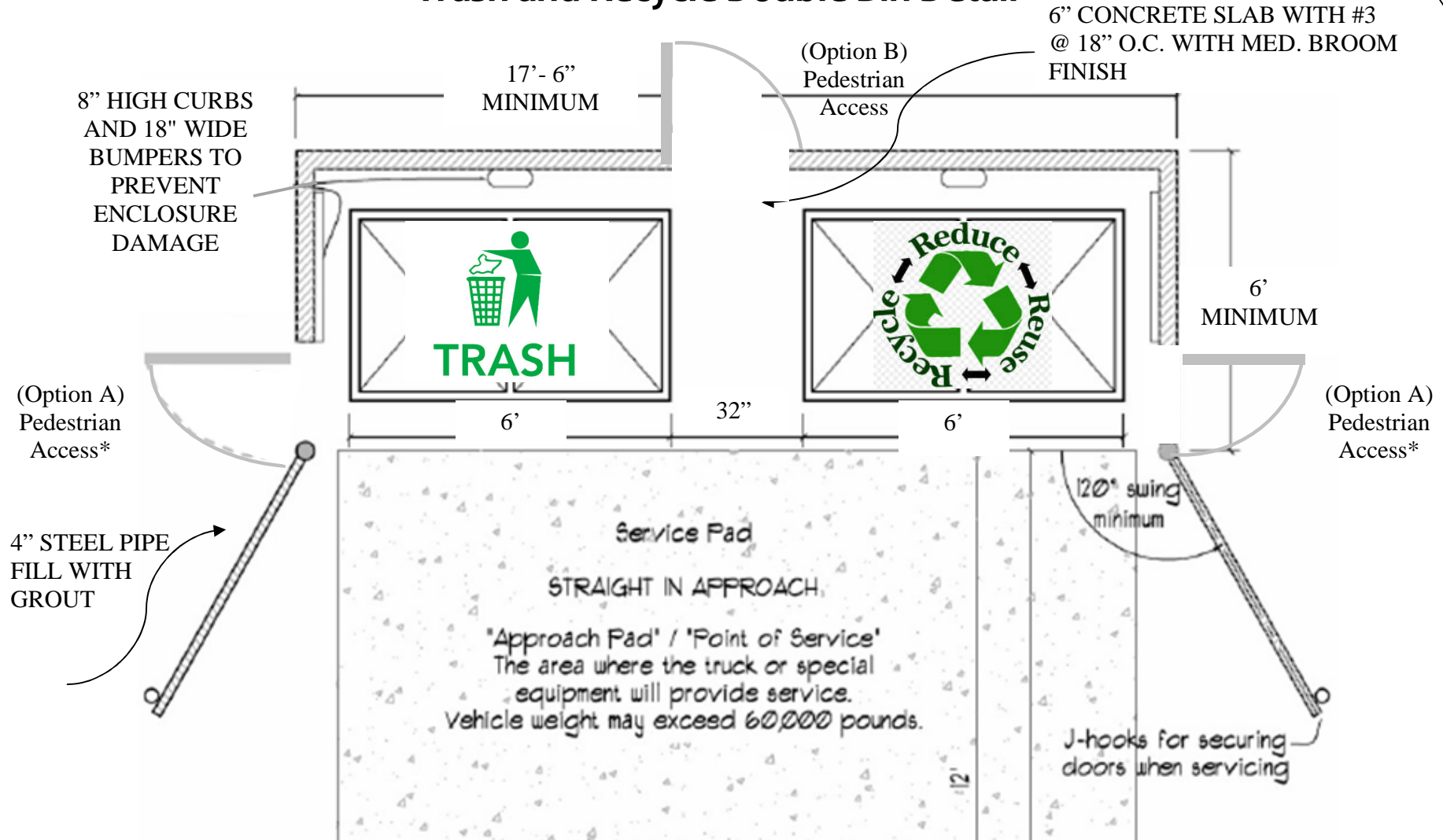
CITY OF BIG BEAR LAKE

(909) 866-5831 – P.O. Box 10000 – 39707 BIG BEAR BOULEVARD – BIG BEAR LAKE, CA 92315

Assembly Bill 341 and Trash Enclosure



Trash and Recycle Double Bin Detail



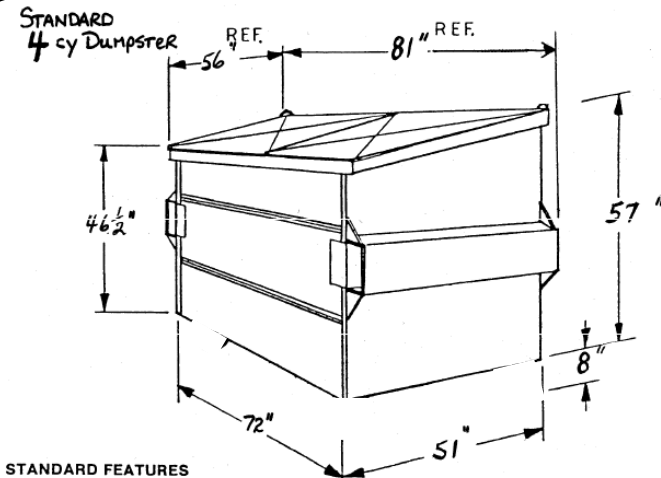
AB 341 Information Here: <http://www.calrecycle.ca.gov/>

*Option "A" requires pedestrian gate to provide access at each side bin. All pedestrian access gates require legal landing, hardware and pathways.

CITY OF BIG BEAR LAKE

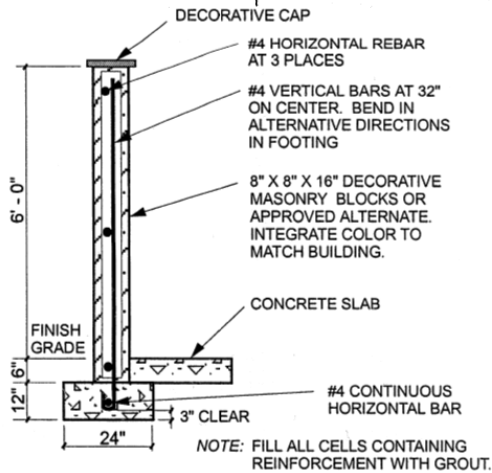
(909) 866-5831 – P.O. Box 10000 – 39707 BIG BEAR BOULEVARD – BIG BEAR LAKE, CA 92315

Trash Enclosure

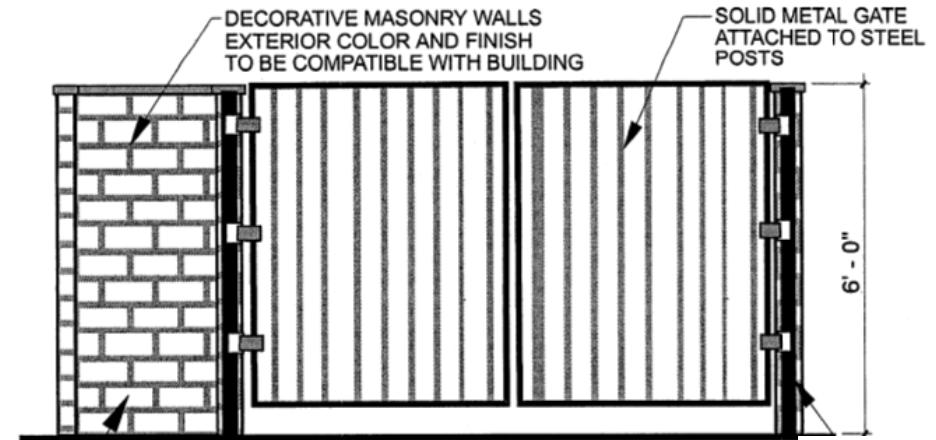
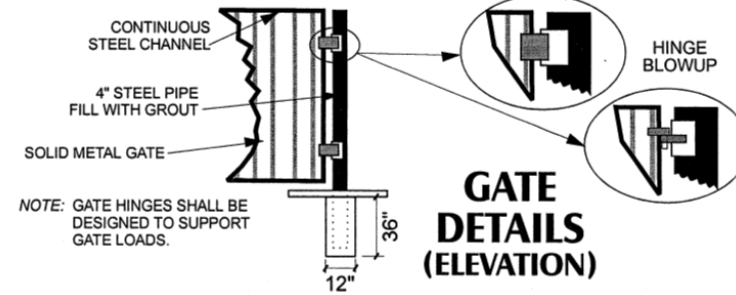


STANDARD FEATURES

WALL DETAILS (ELEVATION)



Details



FRONT ELEVATION

CITY NOTES:

1. Trash enclosures should be located in an area accessible by trash vehicles. The number and locations of trash enclosures is subject to City review and approval, prior to issuance of building permits.
2. The trash enclosures should have the following design features:
 - a. Architecturally integrated into design of the project;
 - b. Trash bins with counterweighted lids;
 - c. Solid metal gates placed on continuous steel frame, attached to steel posts embedded in concrete.

BIG BEAR DISPOSAL, INC. NOTES:

1. Please have your contractor contact our office before building the enclosure. (909) 866-3942
2. Doors should be 12 inches from the ground so they will open if there is snow on the ground.
3. We do not recommend bins with casters, as they freeze to the ground during winter weather.
4. Please install a locking device to keep doors open.
5. Locate bin enclosure where it will not be blocked by employee or customer cars.
6. Enclosure must be on level ground.
7. Our trucks must have a lengthy approach to the enclosure, as they are approximately 30 feet long and cannot enter the enclosure at a short angle.
8. AB 341 info can be found at <http://www.calrecycle.ca.gov/>